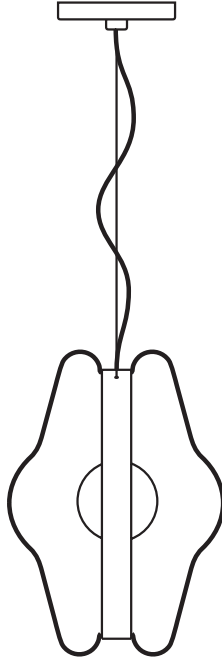
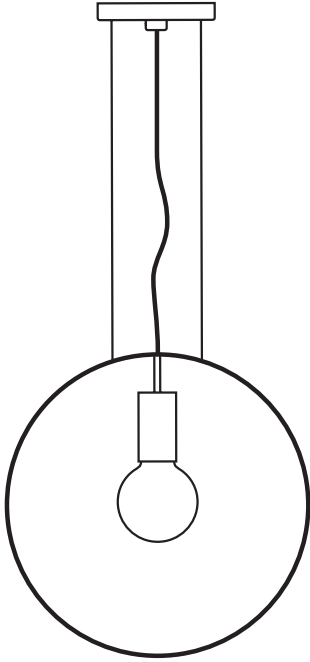


# orbital

Design by Jakub Pollág & Václav Mlynář



loomma

Installation Manual  
for Pendant Light Fixtures  
**Installation Manual don't throw away**



## Introduction

- Please read this user's manual carefully prior to installation and follow its instructions and recommendations.
- The installation of the pendant light requires more than one person.
- For safety reasons, as well as for warranty purposes, it is forbidden to use this product in breach of this manual and other purposes stipulated in this manual.
- Prior to assembly, use an appropriate circuit breaker to turn off electricity.
- All interventions regarding the wiring of the light fixture may only be carried out by a qualified electrician.
- Prevent children or persons with lowered sensory or psychological abilities from handling the light fixture, as it contains small and fragile pieces that could be dangerous when inappropriately handled or ingested.
- The producer bears no liability for damage caused by improper installation.
- The dimensions and weight of glass parts may differ slightly due to manual production.
- All Bomma products are made from hand-blown lead-free crystal. Any small bubbles, non-melts and inhomogeneities in the glass are not a reason for complaint. This is a characteristic feature of this traditional craft.
- Thanks to the manual process of blowing underlay glass, each piece is an original. Individual products may vary slightly in intensity, hue or even color. This is an accompanying characteristic of the underlay glass technology.
- The surface of the mounting may also include minor imperfections due to manual production.
- The pendant light is intended for interior lighting.

## Components included in the package

- Hand-blown glass part of the light fixture (2x)
- Mounting
- Allen key
- Steel cable (2x)
- Dimmable light source
- Installation manual
- Maintenance instructions
- Gloves

## Technical parameters, specifications

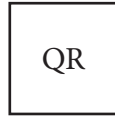
- Voltage input: 230 V / A.C. 50Hz
- Protection: IP 20
- Input power: 1x LED lamp max. 13 W (E27)
- Cable length: 2,5 m
- Weight: ~ 9 kg
- Size: 360 x 254 x 360 mm
- Light source: G80, 6W LED, 510 lm, 2700 K, RA 90+
- Class: I.

Recommended light source: LED E27, max. 13 W.

∅ 80 mm  
↑↓ 120 mm



see the video manual [HERE](#)



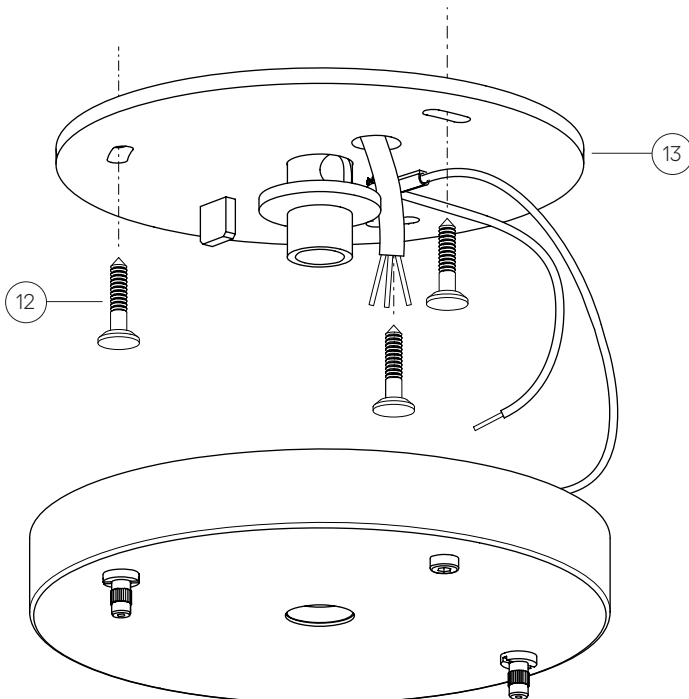
1

Installation of the pendant light fixture requires two people.

Upon opening, first determine that there was no damage occurred during transport and that the light fixture is complete. Otherwise, please contact your seller immediately, as later claims may not be considered.

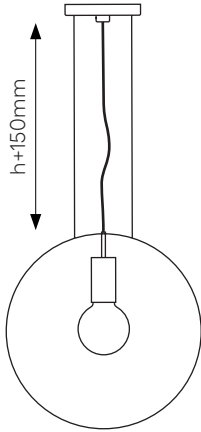
Assemble the lighting fixture according to the manual, recognizing that its installation wiring may only be carried out by a qualified electrician following general legal regulations.

Slip the plate (13) on the incoming power supply cable from the ceiling and attach using appropriate screws and wall-plugs (12), which are not included in the package. Select their size and type according to the material of your wall or ceiling and the weight of the fixture (~ 9 kg).



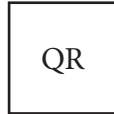
**2**

Measure the final required distance of the fixture from the ceiling (measure cable only) and add to your distance 150mm, which is used to connect the cable inside the canopy.

**3**

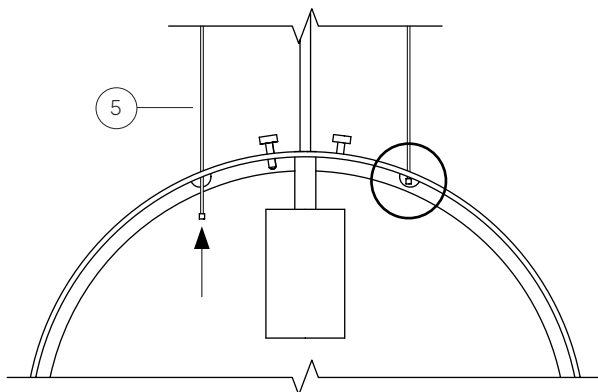
Shorten the cable according to your measurement. When shortening the cable, be careful not to fold the textile braid of the cable. Secure the braid position with electrical tapes.

Video instructions after scanning the QR code.

**4**

Slide the steel cables ⑤ through the openings in the upper part of the ring from inside out, all the way to the stopper at the end of the cables.

Shorten the steel cables to the required distance “h” (step 2) and add 50mm to this distance to anchor the cable to the canopy.

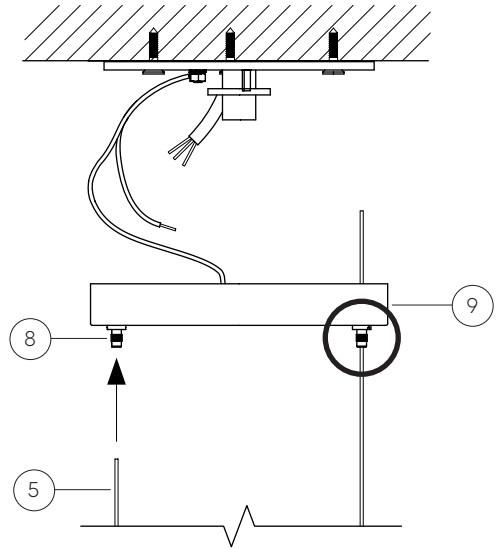
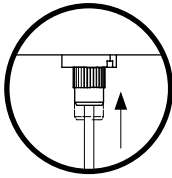
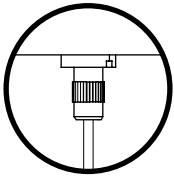


5

Slide both ends of the steel strings (5), at least 25 mm, into the Reutlinger cable grippers (8) from the bottom of the canopy (9) and adjust the final height of the fixture.

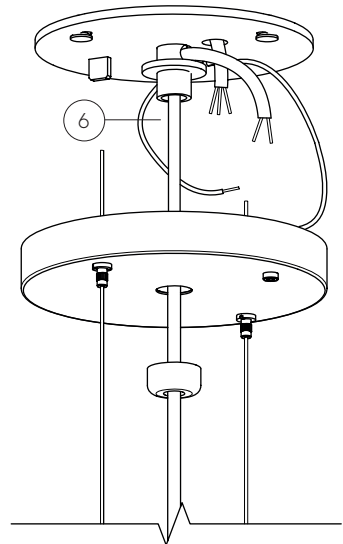
Steel cable is after the plug to reutlinger fixed.

To release the cable press with your fingernail the middle tube and pull out the cable.



6

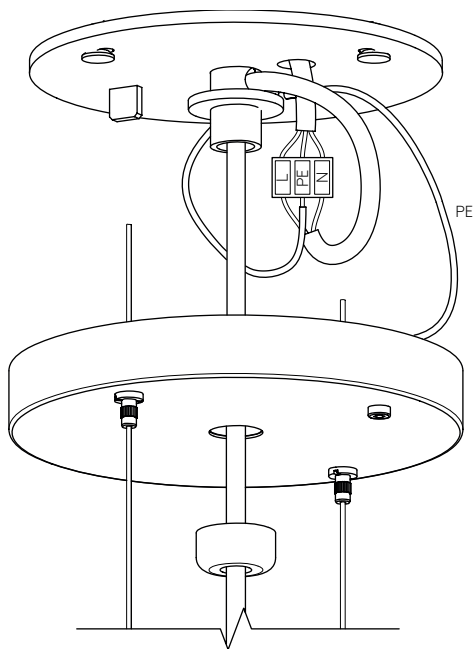
Slide the end of the power supply cable (6) through the center pipe of the mounting plate.



7

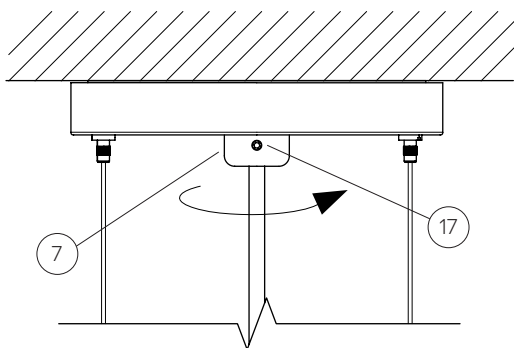
Install the wiring according to the diagram.

Brown = L  
Blue = N  
Green-yellow = PE



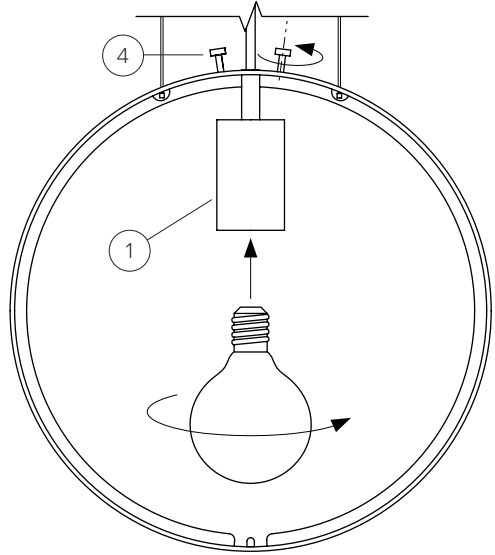
8

Using the nut (7), attach the canopy to the mounting plate and tighten the grub screw (17) with allen key.



9

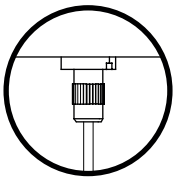
Remove the screws ④ from the upper part of the mounting and insert the dimmable light source into the socket ①.



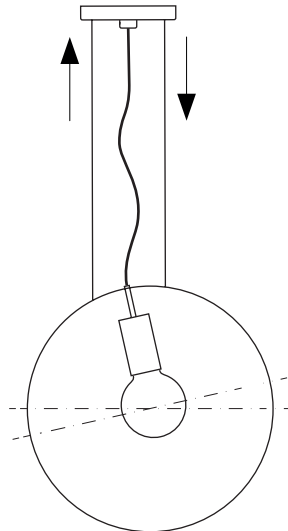
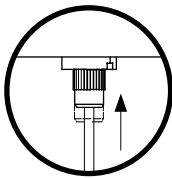
10

Adjust the steel cables to level the fixture. Make sure that the electrical cable is loose and that the weight of the fixture is spread over the steel cables.

Steel cable is after the plug to reutlinger fixed.



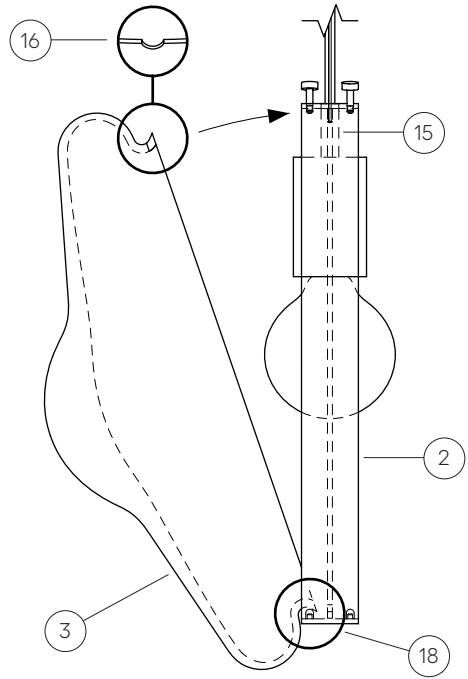
To release the cable press with your fingernail the middle tube and pull out the cable.





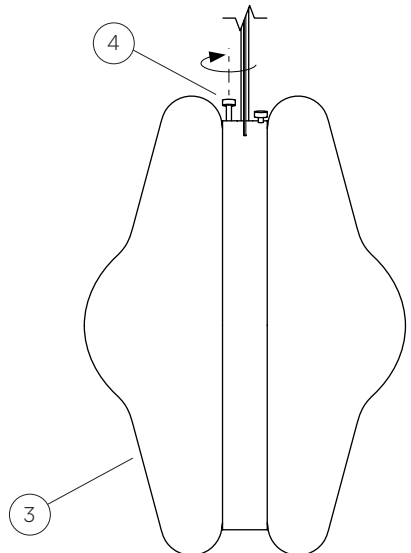
11

Set the glass parts ③ into the mounting ②.  
The edge of the glass in the bottom part of the mounting must first click behind the black pin ⑱. Then fold the glass into the hoop of the mounting as shown.  
The groove in the glass ⑰ must fit the tube ⑮ in the upper part of the mounting.



12

Fix the glass parts ③ by screwing in the screws ④ in the upper part of the assembly. Carefully tighten both screws to the point where they touch the glass.  
**DO NOT USE TOO MUCH FORCE TO TIGHTEN THE SCREWS - THE GLASS COULD BREAK.** Carefully move the glass and make sure it holds firmly in the hoop.

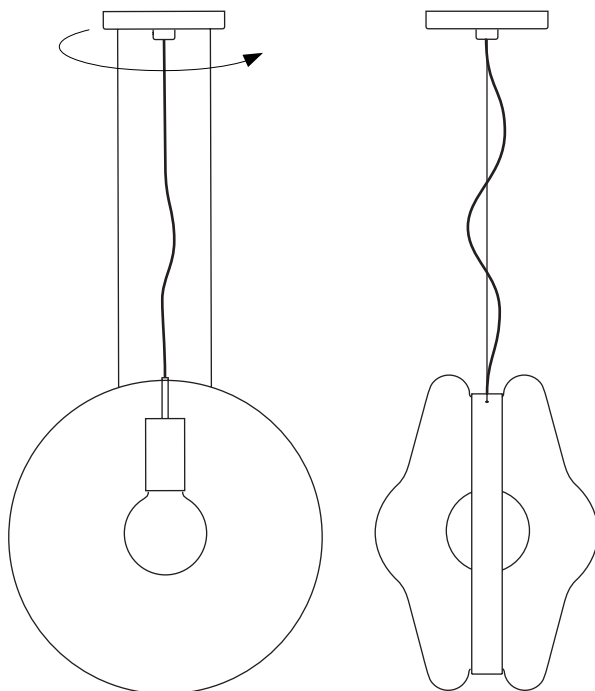


Adjust the orientation of the fixture by turning the canopy carefully (180 ° rotation is possible).

Congratulations! You can now turn on the light.

When disassembling, first switch off the fixture and disconnect it from the power supply. Proceed in the reverse order of this installation manual.

If necessary, transport the fixture in either the original or comparable packaging to prevent damage.



## Maintenance

- When unpacking, installing and cleaning your fixture, handle the individual components with outmost care, particularly the glass parts, which are very fragile.
- Assembly and electric installation must be carried out by certified electricians.
- Pendant lights are intended for interiors.
- We recommend consulting the installation and the anchoring of pendant lights in ceiling materials with your project manager, technician or another competent party.
- Do not cover nor touch the light source while the light is on.
- Do not attempt any repairs or changes to the components. Always contact our specialized service.
- Spare parts that are not supplied or approved by the producer may not be used (with the exception of light sources replacement).
- Do not expose the light fixture to unsuitable environments where it could become damaged (water, frost, heat).
- Ensure appropriate access (ladder, scaffolding, aerial work platform) prior to maintenance or cleaning pendant lights, in order to comfortably reach and safely handle the light fixture.
- **Note:** in some areas, the lighting fixture may have sharp edges that may cause injury. Beware while in immediate proximity of the fixture.
- Perform cleaning and all maintenance with the light turned off, ideally entirely disconnected. Respect this rule for the entire duration of installation.
- When changing a light bulb, always disconnect the light fixture from its power supply.
- We recommend hanging the fixture up at sufficient height to avoid injury (e.g. head injury) to persons moving within its proximity.
- We recommend performing the installation of pendant lights with more than one person.
- After installation check whether the light fixture is properly set in its base.
- Do not expose the light to inappropriate strain and protect it from mechanical damage.
- When in operation, the light source becomes hot. Prior to any handling, wait for the light source to naturally cool down and do not expose it to fast cooling.
- Halogen light sources may not come in contact with greasy materials, so do not touch them with bare hands. Install them using clean textile gloves or tea towels. When cleaning halogen bulbs, it is best to use alcohol-based cleaners.
- When changing a bulb, use the same or recommended light source. Information regarding the type appears both on the label and in the installation manual.
- Do not hang any other components on the light fixture, other than those listed in the installation manual.
- Pay attention to checking all parts prior to their installation. Damaged components and glass parts (fragmentation, cracks) may cause personal injuries to persons moving within its proximity.
- Should any serious problem occur during cleaning or maintenance, do not hesitate to contact the producer.
- Any other handling of the pendant light fixture should be performed by a qualified technician or directly by the producer.

## Cleaning

- All cleaning and maintenance must be carried out when the power is off, ideally entirely disconnected.
- When cleaning, use fine-fabric gloves. Particularly avoid handling metal-coated crystal without gloves to avoid fingerprints and loss of gloss.
- Use soft cloths to clean metal parts. Such parts may be cleaned with a dry cloth or a cloth dampened in warm water with a mild detergent. Avoid the use of solvents or technical benzene to clean metal parts. Avoid alcohol-based cleaners that may cause changes of surface colors.
- Clean light bulb using a soft dampened cloth, antistatic brush with soft bristles or a vacuum cleaner turned to low mode.
- Clean fine-steel surfaces with products sold especially for this purpose.
- To clean the glass parts, use products in concentrations recommended by their producers. Immediately after cleaning, dry the light fixture and hang it again.
- When cleaning glass parts, a concentrate of 90% water and 10% vinegar may also be used. Fill up a clean spray-bottle with this mixture. Use cotton gloves, apply the solution to one of them and gently wipe the parts requiring cleaning. Immediately dry the cleaned surfaces with the other glove. Give particular care to cleaning individual parts of the light that cannot be dismantled. Inappropriate handling may cause loosening or chipping of these parts.
- Avoid cleaning removable parts of the light fixture in a dishwasher.

## Important notice

- The producer bears no responsibility for damage caused by unprofessional installation or inappropriate handling of the light fixture, including installation with accessories other than those recommended by the producer.
- The producer bears no responsibility for damage caused by unprofessional interventions into the mounting and safety features of the light fixture, including damage to the product by inappropriate power supply, storage or use of the light fixture in a humid environment.
- Do not place the light fixture in humid environments, such as near a boiler or other sources of water vapor. Do not place the lighting fixtures in shower enclosures or above bathtubs and never touch them when you are in contact with water.
- The producer reserves the right to make minor changes to the construction of the light fixture without prior notice.

## Disposal

Upon the expiration of the product's shelf life, proceed in accordance to legal regulations for environmental protection and public health safety.

## Waste Materials Catalog

Number	Category	Name
10 11 11*	N	Waste glass in small particles and glass powder containing heavy metals
10 11 12	O	Waste glass other than those mentioned in 10 11 11
17 04 01	O	Copper, bronze, brass
17 04 05	O	Iron and steel
20 01 01	O	Paper and cardboard
15 01 05	O	Composite packaging

## Contact

BMRC GROUP s.r.o.  
Hvězdova 1716/2b  
140 78 Praha  
Czech Republic  
+420 569 453 149  
info@bomma.cz  
www.bomma.cz

**Instagram** bomma\_cz

**Facebook** bommacz

bomma.cz

Control

Date of packaging

step | beyond