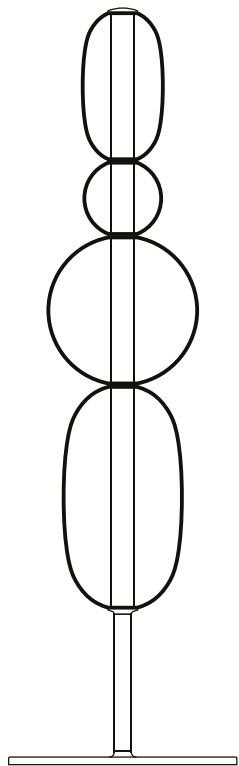


peleloles

Design by
Boris Klimek



bomma

bomma.cz

TECHNICAL SHEET

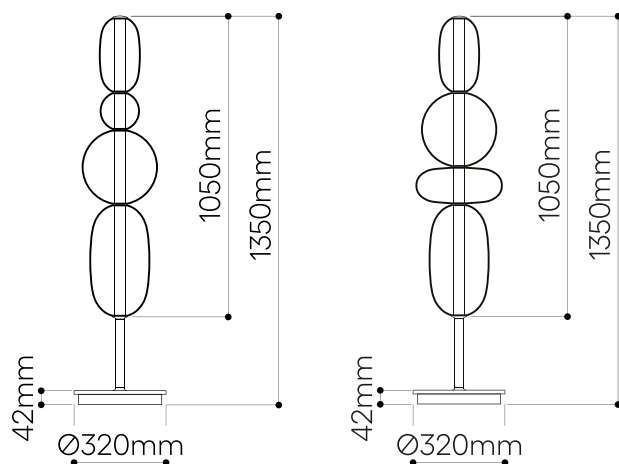
PEBBLES

floor lamp large

Design by
Boris Klimek

All Bomma products are hand-made from mouth-blown lead-free crystal. Therefore any small bubbles, non-melts and irregularities in the glass are both proof and a characteristic feature of this traditional craft.

The Pebbles Collection is made by underlying colored glass technology. Thanks to the manual process of blowing underlay glass, each piece is an original. Individual products may vary slightly in intensity, hue or even color. This is an accompanying characteristic of the traditional underlay glass technology.



LIGHTING DESCRIPTION

| | |
|--------------------|--|
| Size | dia 320 mm, H 1350 mm dia. 12,6 inch, H 53,15 inch |
| Cable | black textile braid cable 3 m / 118 inch |
| Weigh | 28 kg / 61,6 lb |
| Material | mouth-blown lead-free crystal in black, light grey, white, green and red |
| Mounting | black matt powder coating |
| Mounting Materials | aluminium black elox |
| Mounting Colors | black |
| Protection | IP 20 |
| Nominal voltage | 220-230V A.C. 50-60 hz (EU) 100-120 V A.C. 60 Hz (USA) |
| Class | I. EU / I. USA |

LIGHT SOURCE

| | |
|-------------|--|
| Type | LED module 25,5W, 3800lm, 500mA, 51V |
| Base | custom LED module |
| Voltage | 200-240V, AC / 100-140V, AC |
| Temperature | 2700 K |
| Color index | RA 90+ |
| Dimming | Dimmable with TRIAC dimmers. Dimmer within the power cable. |

TRANSFORMER

Mean Well PCD-40-1050B (EU)
ERP ESM050W-1050-42 (USA)

PACKAGING

| | |
|------------------|--|
| Material | Cardboard |
| Size - Two boxes | 540 × 540 × 1520 mm 21,3 × 21,3 × 59,8 inch |

Origin: traditionally produced in the Czech Republic
Intellectual property license holder: Bomma Czech Republic (EU)
Represented by BMRC group s.r.o.

CERTIFICATES

