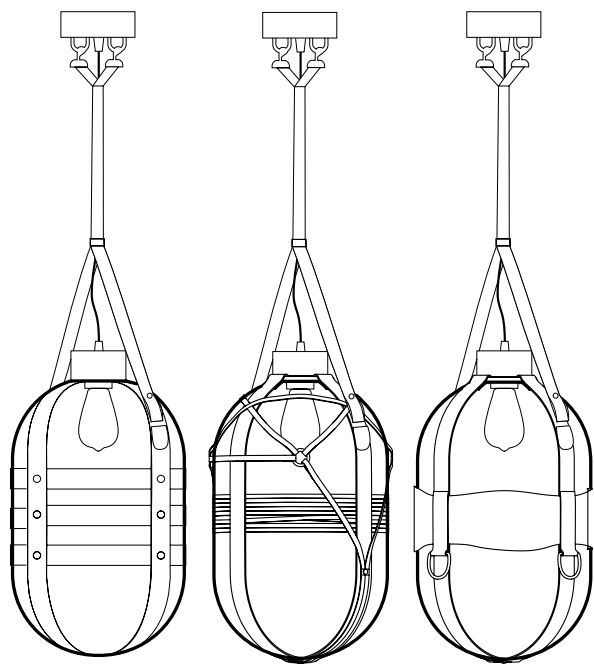


tied-up romance

Design by
Kateřina Handlová



bomma

bomma.cz

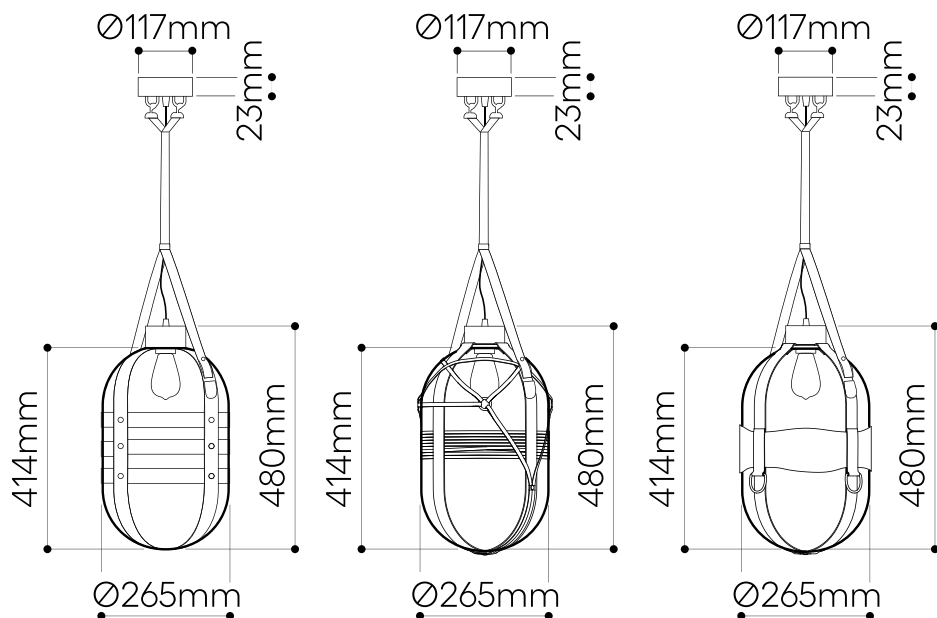
TECHNICAL SHEET

TIED-UP ROMANCE

pendant type A, B, C

Design by
Kateřina Handlová

All Bomma products are hand-made from mouth-blown lead-free crystal. Therefore any small bubbles, non-melts and irregularities in the glass are both proof and a characteristic feature of this traditional craft.



LIGHTING DESCRIPTION

Size	dia. 265 mm, H 480 mm dia. 10,4 inch, H 18,9 inch
Cable	black or brown textile braid 2,5 m / 98,4 inch
Weigh	6 kg / 13,2 lb
Material	mouth-blown lead-free crystal in clear
Mounting Materials	brass with black powder coating / polished brass
Mounting Colors	black / gold
Protection	IP 20
Nominal voltage	220-230V / A.C. 50 hz (EU) 100-120 V / A.C. 60 Hz (USA)
Class	II. EU / I. USA

LIGHT SOURCE

Type	ST64, 3W LED, 350 lm
Base	E27 EU / E26 USA
Voltage	200-240V, AC / 100-140V, AC
Temperature	2700 K
Color index	RA 90+

Dimming

Dimmable with TRIAC ; on demand dimmable with DALI, RF/WIFI, for information on dimming with other systems please contact your Bomma partner.

PACKAGING

Material	Cardboard
Size	620 × 320 × 320 mm 24,4 × 12,6 × 12,6 inch

Origin: traditionally produced in the Czech Republic
Intellectual property license holder: Bomma Czech Republic (EU)
Represented by BMRC group s.r.o.

CERTIFICATES

